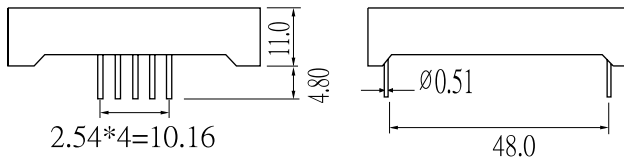
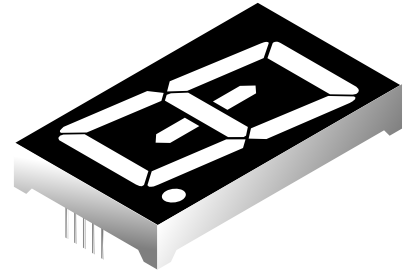
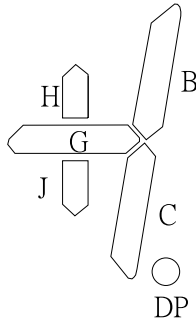
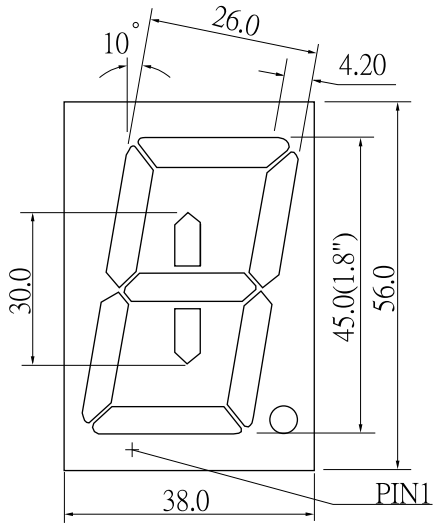
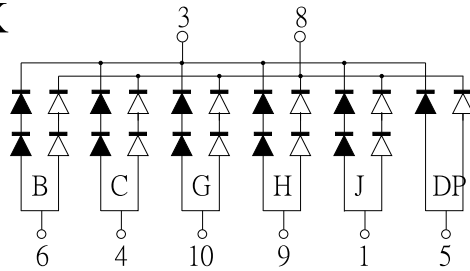


KT11803



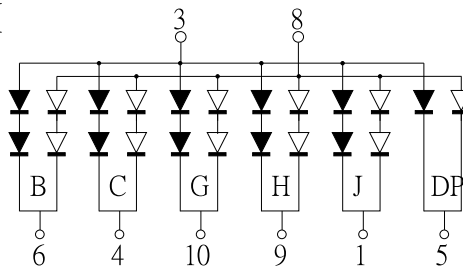
CODE K



2 & 7 NO PIN

▷ = GREEN
◀ = ORANGE

CODE H



2 & 7 NO PIN

▷ = GREEN
◀ = ORANGE