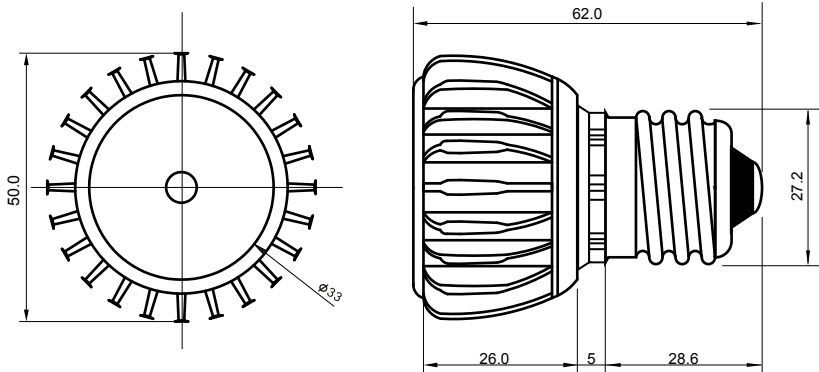


### E27-1FYW1W

#### Features

- \* Aluminum housing
- \* CE approved
- \* Eco-product
- \* Extended longer life
- \* High luminance
- \* Low power consumption
- \* RoHS compliant
- \* Well heat sink
- \* Wide viewing angle



#### Specifications

|                       |                    |
|-----------------------|--------------------|
| Base type             | E27                |
| Forward Current       | 350mA              |
| Input voltage         | AC 85-220V,50/60Hz |
| Light source          | 1x1W power LED     |
| Color                 | Yellow             |
| Luminous Intensity    | 30-40Lm            |
| Operating temperature | -40-+70deg         |
| Size                  | 50x62mm            |
| Viewing angle         | 45deg              |
| Weight                | 52g                |

#### Important:

- \* Bulb electricity is compatible with the light socket voltage.
- \* The power is off while plug the light bulb into the socket.
- \* Suitable for dimmer switches or remote controls.
- \* Specified performance measured in 85-220V range.
- \* Do not look permanently to the light sources.

