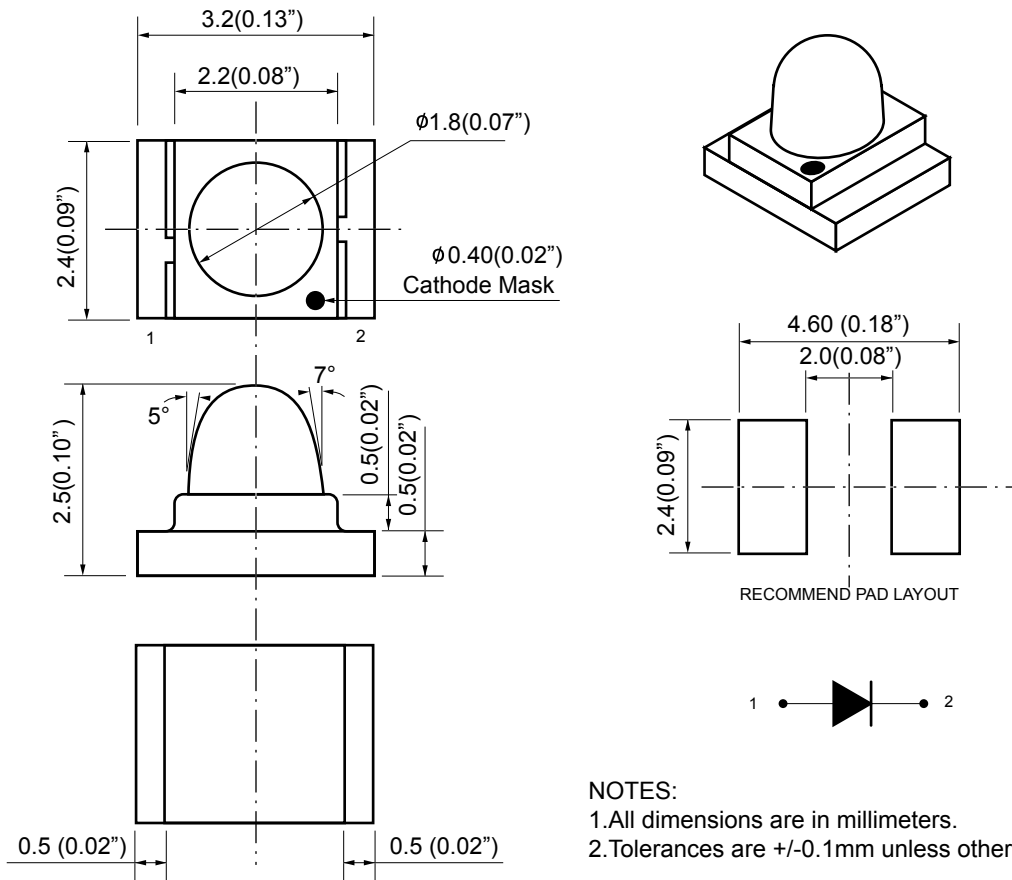


### KT113BHC



#### NOTES:

1. All dimensions are in millimeters.
2. Tolerances are +/-0.1mm unless otherwise noted.

#### Absolute maximum ratings(Ta=25°C):

Parameter	Symbol	Value	Unit	Item	Materials
Forward current	I <sub>f</sub>	30	mA	Resin(mold)	Epoxy
Reverse voltage	V <sub>r</sub>	5	V	Bonding Wire	Φ25 μm Au
Power dissipation	P <sub>d</sub>	120	mW	Lens color	water transparent
Operating temperature range	T <sub>op</sub>	-20 ~ +80	°C	Printed circuit board	BT (white)
Storage temperature range	T <sub>stg</sub>	-20 ~ +80	°C	Dice	GaN
Peak pulsing current (1/8 duty f=1kHz)	I <sub>fg</sub>	125	mA	Emitted color	Blue

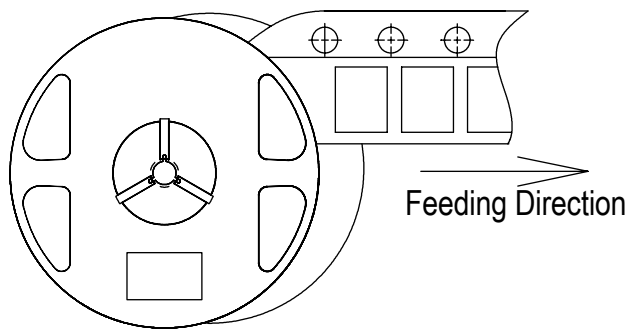
#### Electro - optical characteristics(Ta=25°C)

Parameter	Test Condition	Symbol	Value			Unit
			Min	Typ	Max	
Wavelength at peak emission	I <sub>f</sub> =20mA	λ <sub>peak</sub>	460	465	470	nm
Spectral half bandwidth	I <sub>f</sub> =20mA	Δλ		40		nm
Dominant wavelength	I <sub>f</sub> =20mA	λ <sub>dom</sub>		470		nm
Forward voltage	I <sub>f</sub> =20mA	V <sub>f</sub>		3.5	4	V
Luminous intensity *	I <sub>f</sub> =20mA	I <sub>v</sub>	600			mcd
Viewing angle at 50% I <sub>v</sub>	I <sub>f</sub> =10mA	2Θ <sub>1/2</sub>		15		Deg
Reverse current	V <sub>r</sub> =5V	I <sub>r</sub>			10	uA

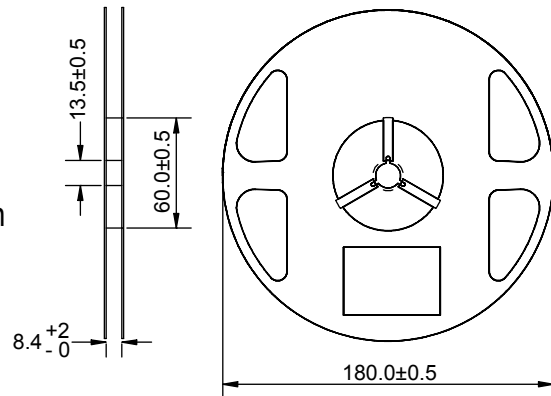
\*Note: Luminous intensity tolerance is +/- 10%.

### KT113 Series SMD Chip LED Lamps Packaging Specifications

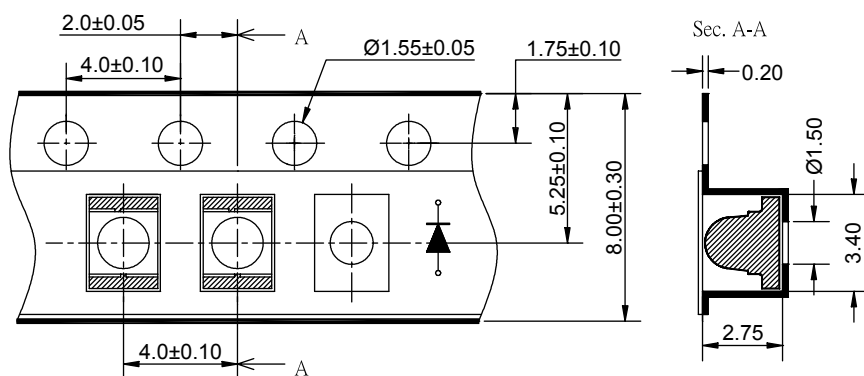
#### Feeding Direction



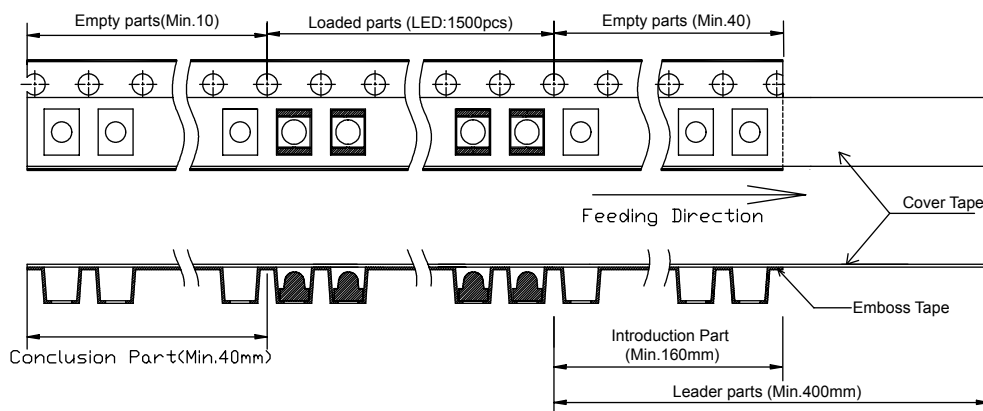
#### Dimensions of Reel (Unit: mm)



#### Dimensions of Tape (Unit: mm)



#### Arrangement of Tape



#### NOTES

1. Empty component pockets are sealed with top cover tape;
2. The maximum number of missing lamps is two;
3. The cathode is oriented towards the tape sprocket hole in accordance with ANSI/EIA RS-481 specifications.
4. 1,500 pcs/Reel