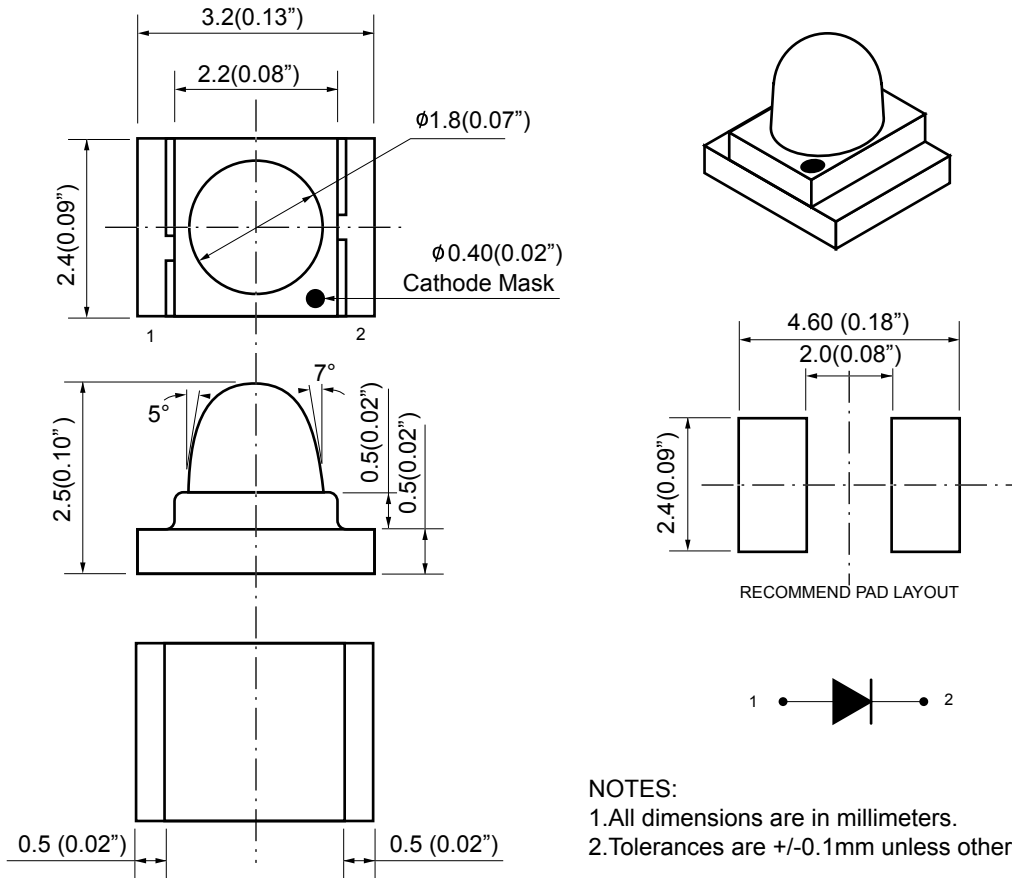


KT113BLC



NOTES:
 1. All dimensions are in millimeters.
 2. Tolerances are +/-0.1mm unless otherwise noted.

Absolute maximum ratings ($T_a=25^\circ\text{C}$):

Parameter	Symbol	Value	Unit	Item	Materials
Forward current	I_f	30	mA	Resin(mold)	Epoxy
Reverse voltage	V_r	5	V	Bonding Wire	$\phi 25 \mu\text{m Au}$
Power dissipation	P_d	120	mW	Lens color	water transparent
Operating temperature range	T_{op}	-20 ~ +80	$^\circ\text{C}$	Printed circuit board	BT (white)
Storage temperature range	T_{stg}	-20 ~ +80	$^\circ\text{C}$	Dice	GaN
Peak pulsing current (1/8 duty $f=1\text{kHz}$)	I_{fg}	125	mA	Emitted color	Blue

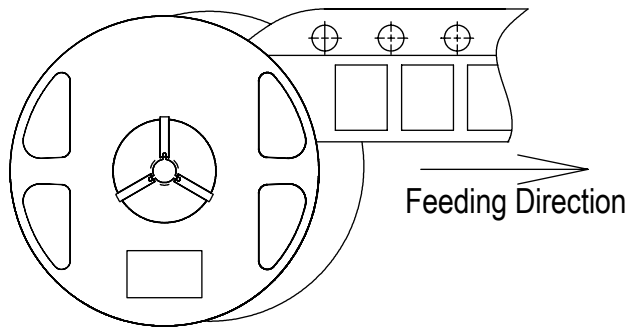
Electro - optical characteristics ($T_a=25^\circ\text{C}$):

Parameter	Test Condition	Symbol	Value			Unit
			Min	Typ	Max	
Wavelength at peak emission	$I_f=20\text{mA}$	λ_{peak}	460	465	470	nm
Spectral half bandwidth	$I_f=20\text{mA}$	$\Delta\lambda$		40		nm
Dominant wavelength	$I_f=20\text{mA}$	λ_{dom}		470		nm
Forward voltage	$I_f=20\text{mA}$	V_f		3.5	4	V
Luminous intensity *	$I_f=20\text{mA}$	I_v	400			mcd
Viewing angle at 50% I_v	$I_f=10\text{mA}$	$2\theta_{1/2}$		15		Deg
Reverse current	$V_r=5\text{V}$	I_r			10	μA

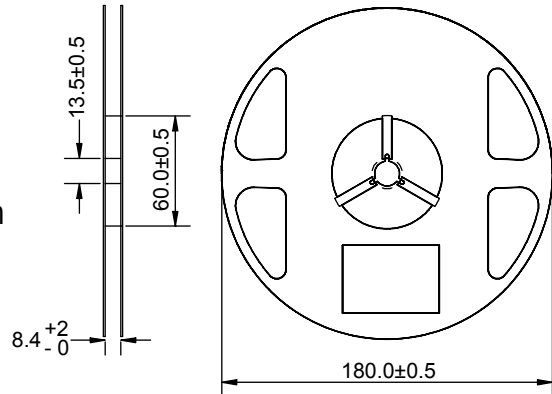
*Note: Luminous intensity tolerance is +/- 10%.

KT113 Series SMD Chip LED Lamps Packaging Specifications

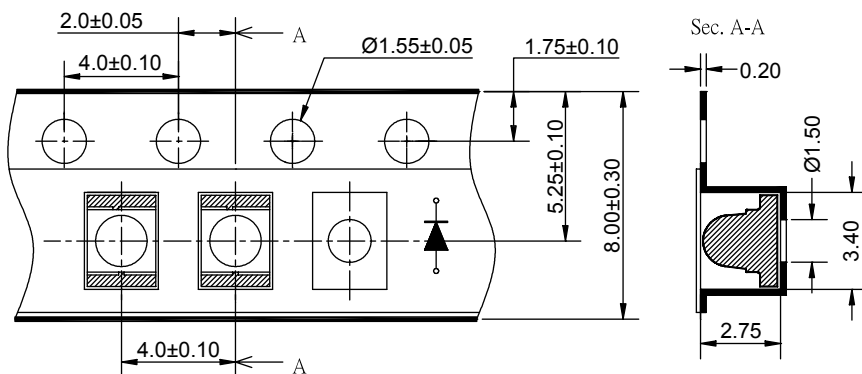
Feeding Direction



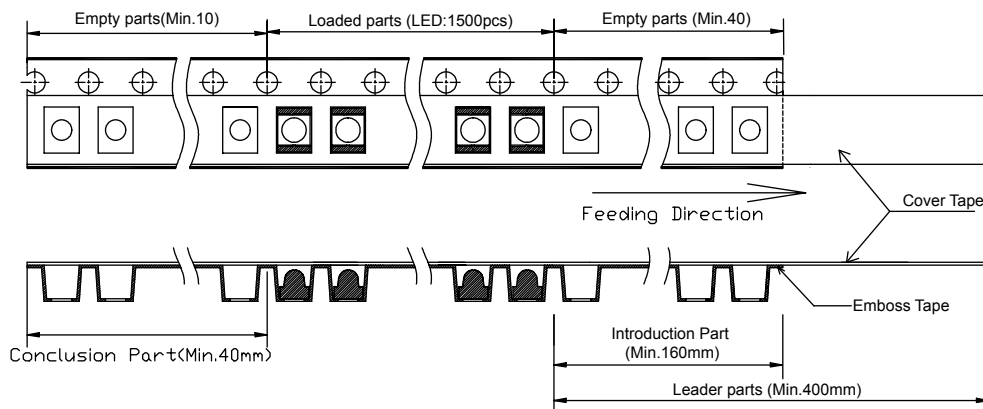
Dimensions of Reel (Unit: mm)



Dimensions of Tape (Unit: mm)



Arrangement of Tape



NOTES

1. Empty component pockets are sealed with top cover tape;
2. The maximum number of missing lamps is two;
3. The cathode is oriented towards the tape sprocket hole in accordance with ANSI/EIA RS-481 specifications.
4. 1,500 pcs/Reel