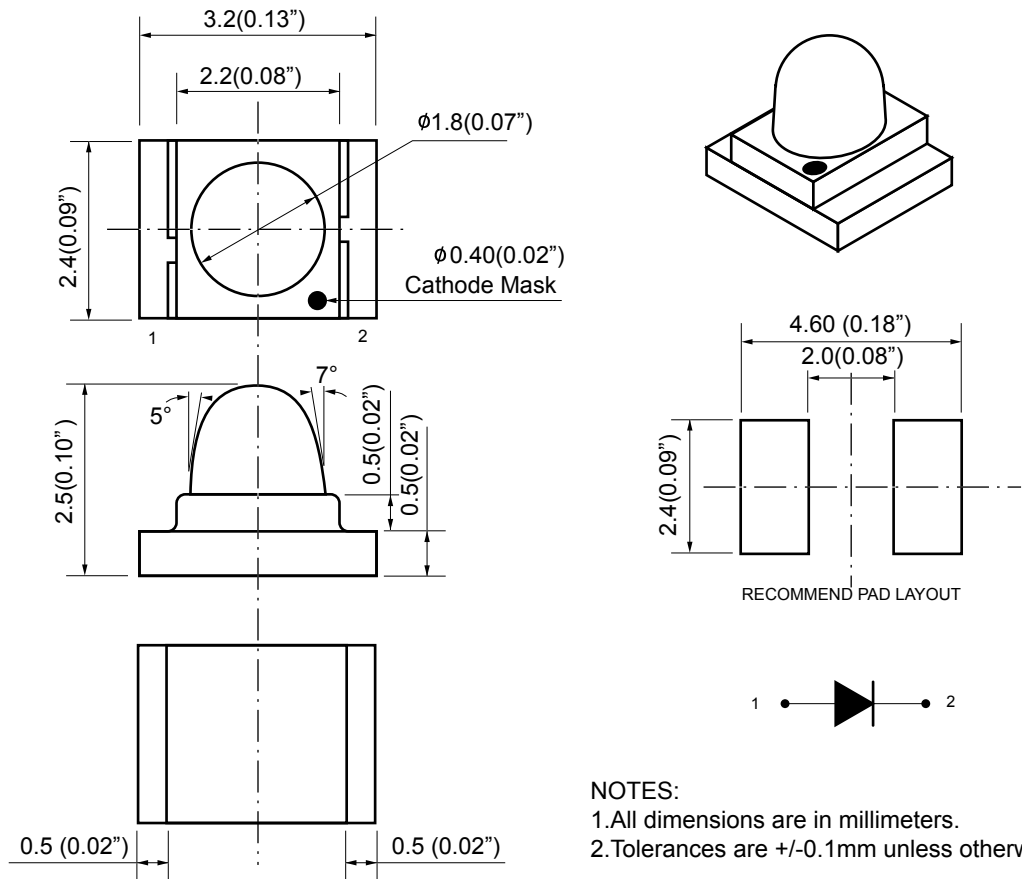


KT113IC-S



NOTES:

1. All dimensions are in millimeters.
2. Tolerances are +/-0.1mm unless otherwise noted.

Absolute maximum ratings(Ta=25°C):

Parameter	Symbol	Value	Unit	Item	Materials
Forward current	I _f	30	mA	Resin(mold)	Epoxy
Reverse voltage	V _r	5	V	Bonding Wire	Φ25 um Au
Power dissipation	P _d	75	mW	Lens color	water transparent
Operating temperature range	T _{op}	-20 ~ +80	°C	Printed circuit board	BT (white)
Storage temperature range	T _{stg}	-20 ~ +80	°C	Dice	AllnGap
Peak pulsing current (1/8 duty f=1kHz)	I _{fg}	125	mA	Emitted color	Yellow

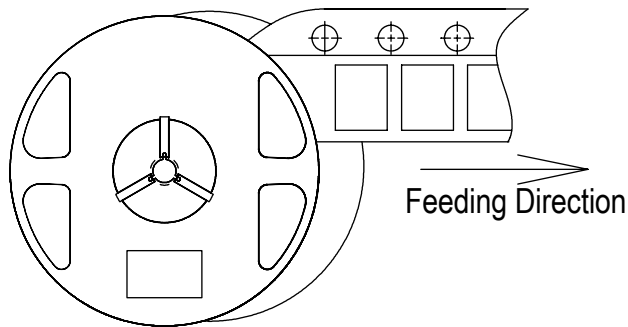
Electro - optical characteristics(Ta=25°C)

Parameter	Test Condition	Symbol	Value			Unit
			Min	Typ	Max	
Wavelength at peak emission	I _f =20mA	λ _{peak}		595		nm
Spectral half bandwidth	I _f =20mA	Δλ		20		nm
Dominant wavelength	I _f =20mA	λ _{dom}		590		nm
Forward voltage	I _f =20mA	V _f		2.0	2.5	V
Luminous intensity *	I _f =20mA	I _v		2400		mcd
Viewing angle at 50% I _v	I _f =10mA	2Θ _{1/2}		20		Deg
Reverse current	V _r =5V	I _r			10	uA

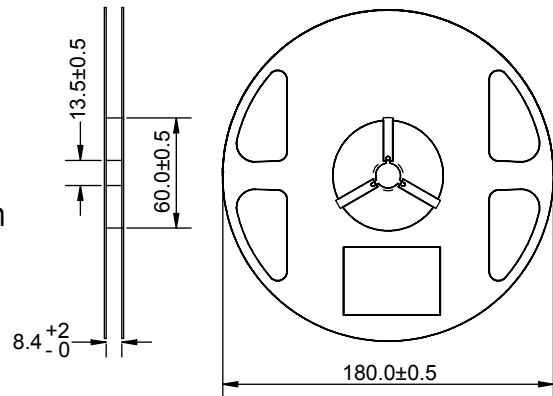
*Note: Luminous intensity tolerance is +/- 10%.

KT113 Series SMD Chip LED Lamps Packaging Specifications

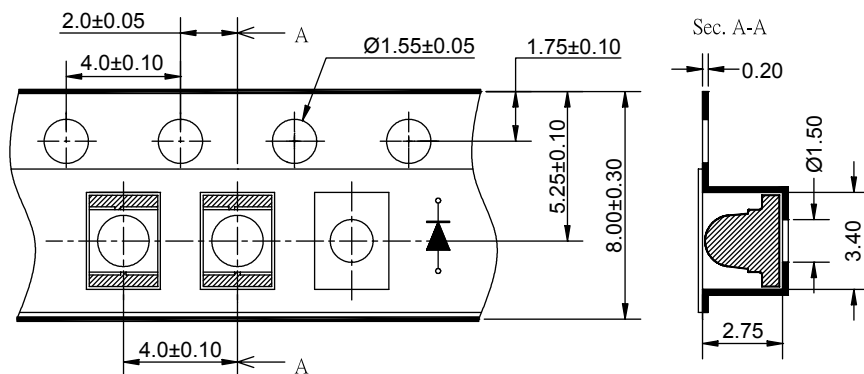
Feeding Direction



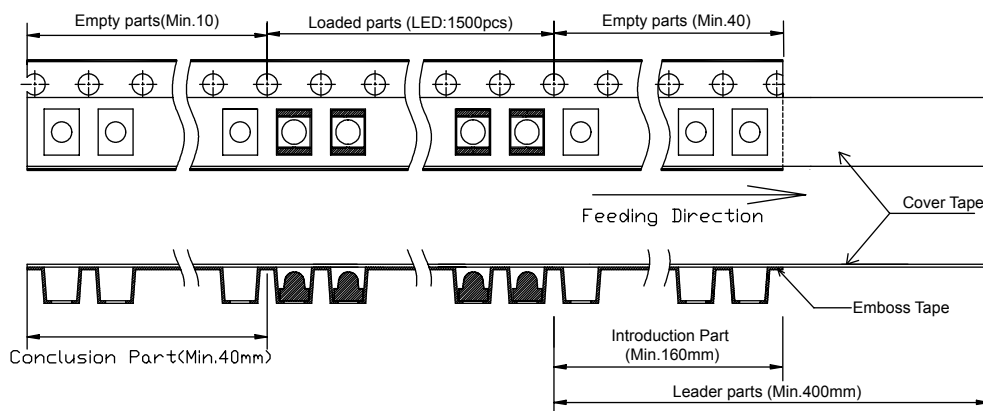
Dimensions of Reel (Unit: mm)



Dimensions of Tape (Unit: mm)



Arrangement of Tape



NOTES

1. Empty component pockets are sealed with top cover tape;
2. The maximum number of missing lamps is two;
3. The cathode is oriented towards the tape sprocket hole in accordance with ANSI/EIA RS-481 specifications.
4. 1,500 pcs/Reel