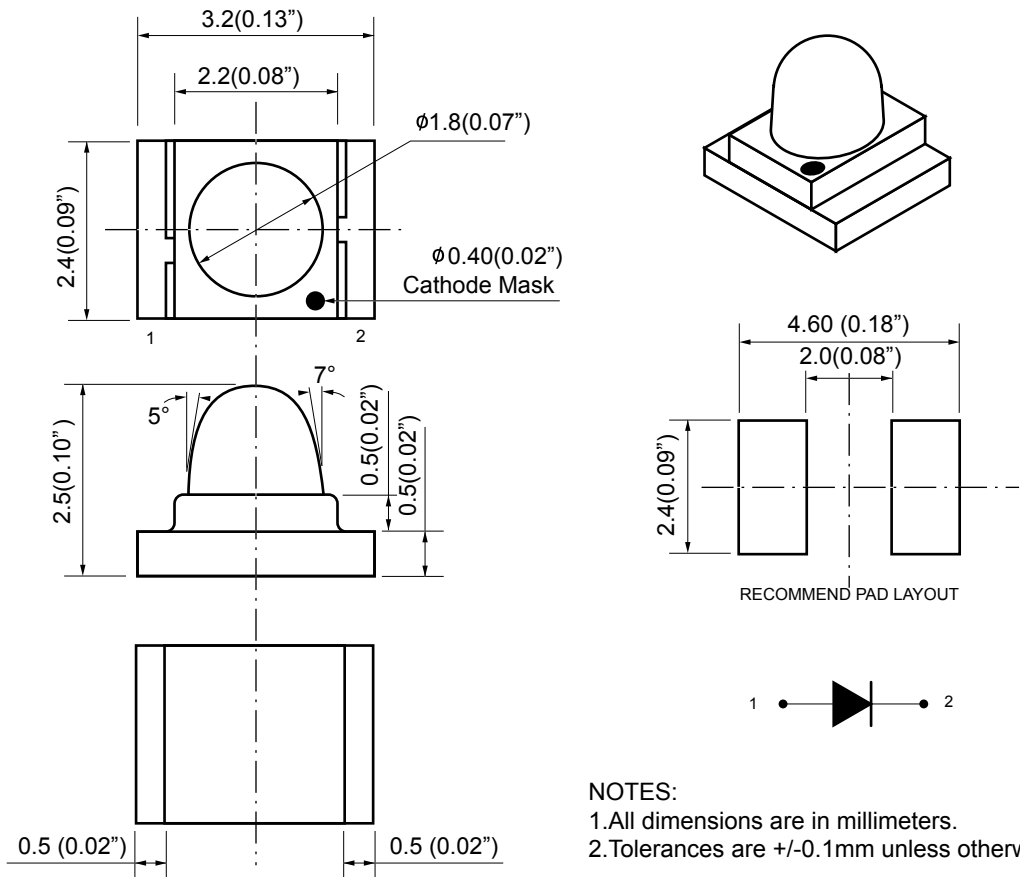


KT113WHC



NOTES:
 1. All dimensions are in millimeters.
 2. Tolerances are +/- 0.1mm unless otherwise noted.

Absolute maximum ratings(Ta=25°C):

Parameter	Symbol	Value	Unit	Item	Materials
Forward current	I _f	30	mA	Resin(mold)	Epoxy
Reverse voltage	V _r	5	V	Bonding Wire	Φ25 um Au
Power dissipation	P _d	120	mW	Lens color	water transparent
Operating temperature range	T _{op}	-.20 ~ +80	°C	Printed circuit board	BT (white)
Storage temperature range	T _{stg}	-.20 ~ +80	°C	Dice	GaN
Peak pulsing current (1/8 duty f=1kHz)	I _{fg}	125	mA	Emitted color	White

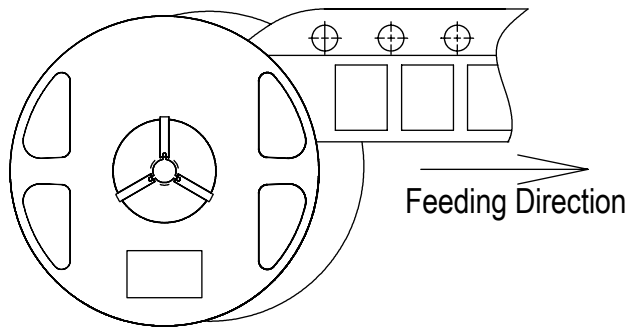
Electro - optical characteristics(Ta=25°C)

Parameter	Test Condition	Symbol	Value			Unit
			Min	Typ	Max	
CIE Coordinates	I _f =20mA	X	0.22	0.28	0.36	nm
	I _f =20mA	Y	0.22	0.31	0.38	nm
Dominant wavelength	I _f =20mA	λ _{dom}				nm
Forward voltage	I _f =20mA	V _f		3.5	4.0	V
Luminous intensity *	I _f =20mA	I _v	75	100		mcd
Viewing angle at 50% I _v	I _f =10mA	2Θ _{1/2}		130		Deg
Reverse current	V _r =5V	I _r			10	uA

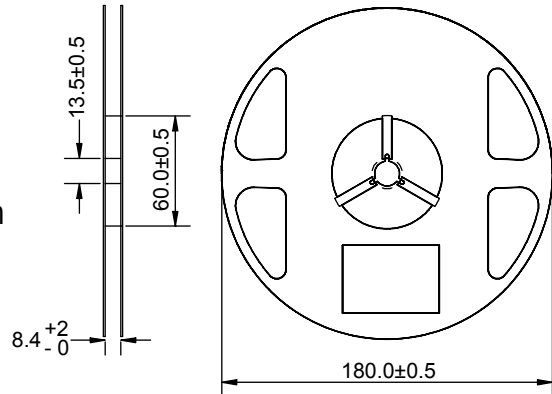
*Note:Luminous intensity tolerance is +/- 10%.

KT113 Series SMD Chip LED Lamps Packaging Specifications

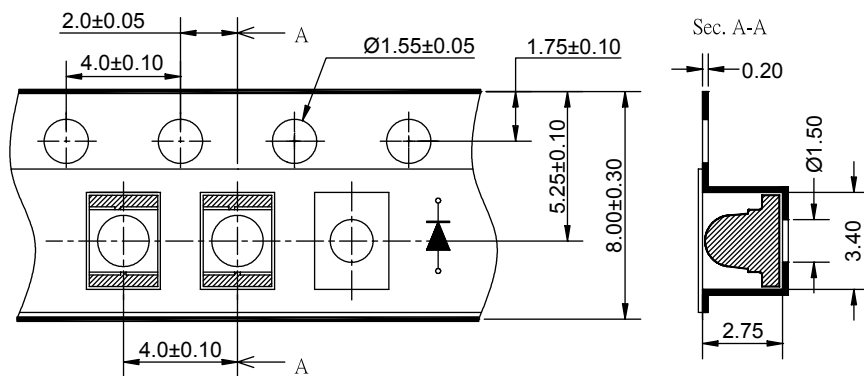
Feeding Direction



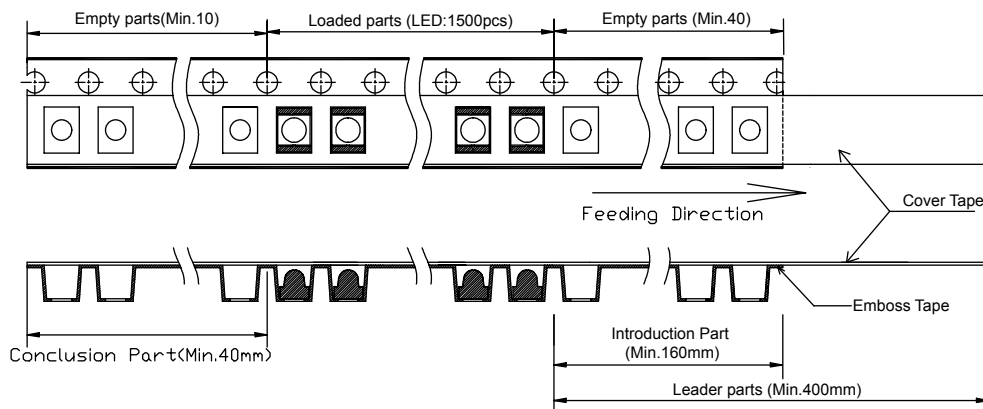
Dimensions of Reel (Unit: mm)



Dimensions of Tape (Unit: mm)



Arrangement of Tape



NOTES

1. Empty component pockets are sealed with top cover tape;
2. The maximum number of missing lamps is two;
3. The cathode is oriented towards the tape sprocket hole in accordance with ANSI/EIA RS-481 specifications.
4. 1,500 pcs/Reel