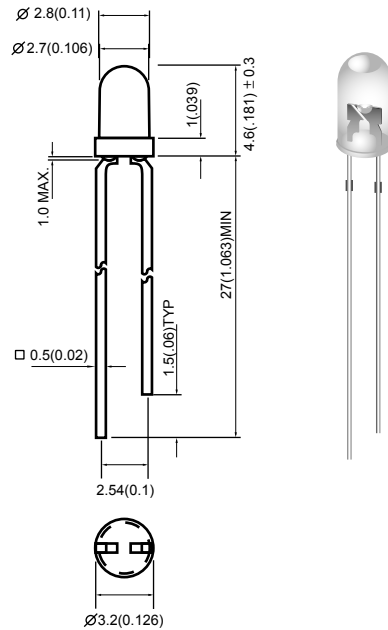


## KTL030JDI-12V



- \* 3mm with Super Green Dice .+ 12V
- \* Encapsulated with Water Clear Package.
- \* Long Lead Frame.

### Absolute Maximum Ratings:

Parameter	Maximum Rating	Unit
Peak forward Current	120	mA
Continuous forward Current	30	mA
Operating Temperature Range	-20°C to +75°C	
Storage Temperature Range	-40°C to +100°C	
Lead Soldering Temperature	260°C for 5 seconds	

### Electro - Optical Characteristics (Ta=25°C)

Parameter	Test Condition	Symbol	Min.	Typ.	Max.	Unit
Forward Voltage	If=70mA	Vf		12		V
Reverse Current	Vr=5V	Vr			100	uA
Luminous Intensity	If=20mA	Iv		800	850	mcd
Spectral Bandwidth	If=5mA	$\Delta\lambda$		30		nm
Wavelength	If=20mA	$\lambda_d$		575		nm
Half View Angle	If=20mA	$\theta_{1/2}$		30		deg