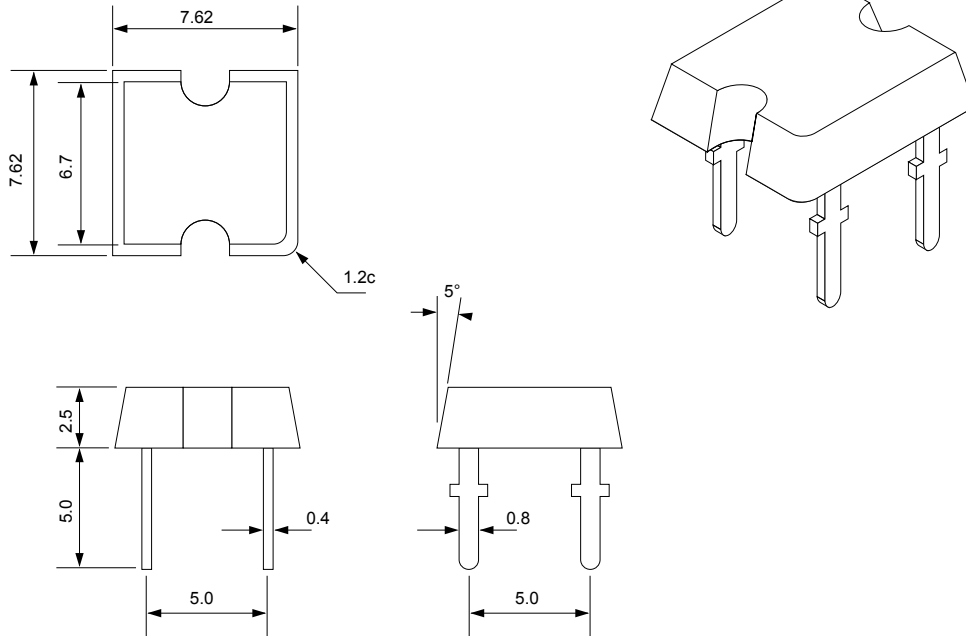


### KTL75BUC 120VA



Unit: mm

- \* Blue Color Dice.
- \* Encapsulated with Water Clear Package.

#### Absolute Maximum Ratings.

Parameter	Symbol	Maximum Rating	Unit
Power Dissipation	Pd	40	mW
Peak Forward Current	I <sub>fp</sub>	160	mA
Continuous Forward Current	I <sub>f</sub>	20	mA
Operating Temperature Range	T <sub>opr</sub>	-25°C to +80°C	
Storage Temperature Range	T <sub>stg</sub>	-40°C to +80°C	
Lead Soldering Temperature	T <sub>stg</sub>	260°C for 5 seconds	

\* IFP Conditions: Pulse width  $\leq 10$  msec duty  $\leq 1/10$  \* T<sub>sol</sub> Conditions: 3mm from the base of the epoxy bulb.

#### Electro-Optical Characterature (Ta=25°C)

Parameter Radiant	Test Condition	Symbol	Min.	Typ.	Max.	Unit
Forward Voltage	I <sub>f</sub> =20mA	V <sub>f</sub>		3.2	3.8	V
Reverse Current	V <sub>r</sub> =5V	I <sub>r</sub>			10	uA
Luminous Intensity	I <sub>f</sub> =20mA	I <sub>v</sub>		550		mcd
Spectral Bandwidth	I <sub>f</sub> =20mA	$\Delta\lambda$				nm
Wavelength	I <sub>f</sub> =20mA	$\lambda_p$		470		nm
		$\lambda_d$				nm
Half View Angle	I <sub>f</sub> =20mA	2 $\Theta$ 1/2		120		deg

1. Absolute maximum ratings Ta=25°C

2. Tolerance of measurement of forward voltage  $\pm 0.1V$

3. Tolerance of measurement of peak Wavelength  $\pm 2.0nm$

4. Tolerance of measurement of luminous intensity  $\pm 15\%$